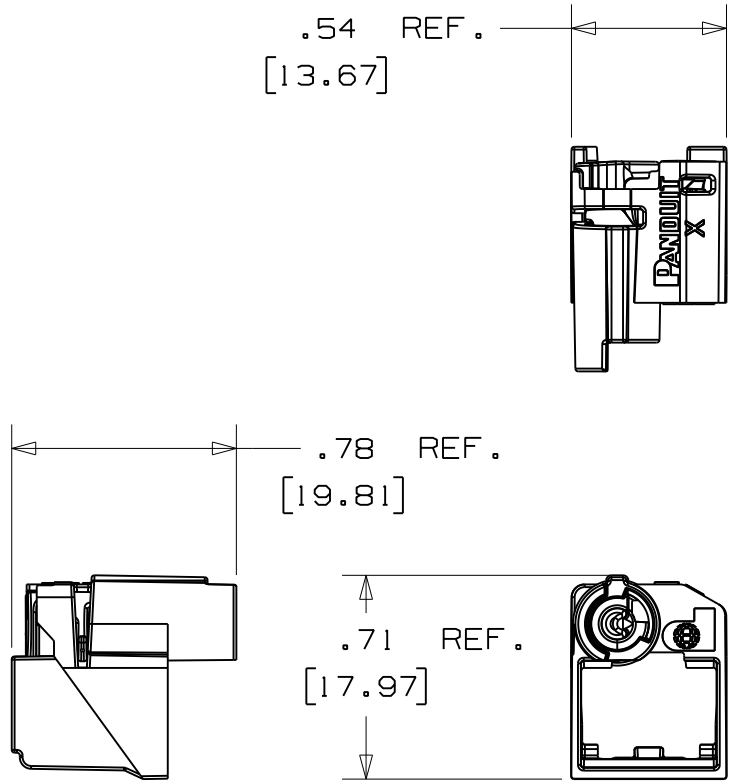
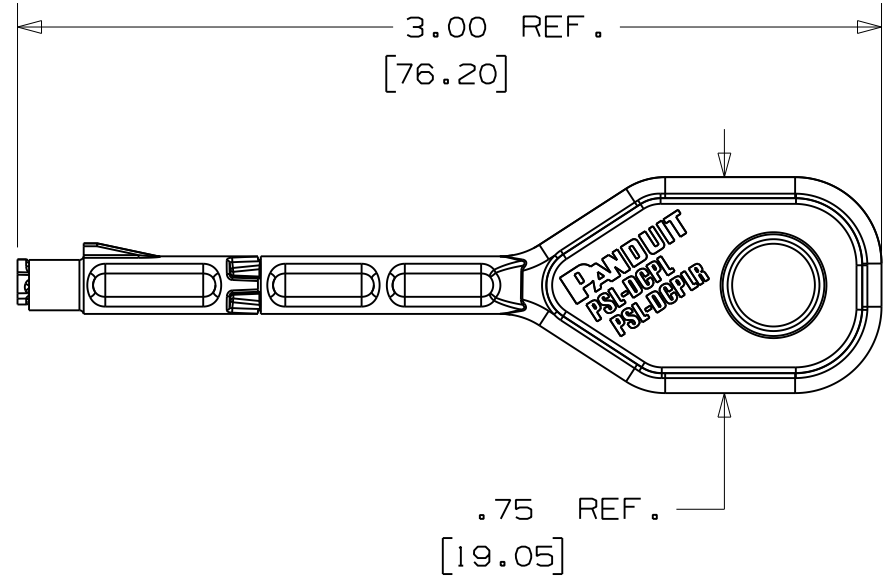


THIS COPY IS PROVIDED ON A RESTRICTED BASIS AND IS NOT TO BE USED IN ANY WAY DETRIMENTAL TO THE INTERESTS OF PANDUIT CORP.



PSL - DCPLRX



KEY

CAD FILENAME/LAYERS 100186AB_DC_C10842/05A

PANDUIT CORP. TINLEY PARK, ILLINOIS

PSL - DCPLRX - **
CUSTOMER DRAWING

UNLESS OTHERWISE SPECIFIED,
DIMENSIONAL TOLERANCES ARE:
(.X) ± .05 (.XXX) ± .01
(.XX) ± .02 ANGLES ± 2°

UNLESS OTHERWISE SPECIFIED,
ALL DIMENSIONS ARE GIVEN
IN INCHES, THIRD ANGLE PROJECTION.

DRAWN BY MROB

MAT'L:

SCALE 1.5:1

DATE 07/29/10

N/A

DRAWING NO.

C10842

DWG

0 07/29/10 MROB

DRAWING RELEASED

6097

R

CHK'D

REV DATE BY CHK

DESCRIPTION

ECN - R CUST SUP

SIZE

A